



Ethylene Detector-Transmitter E2608-C2H4



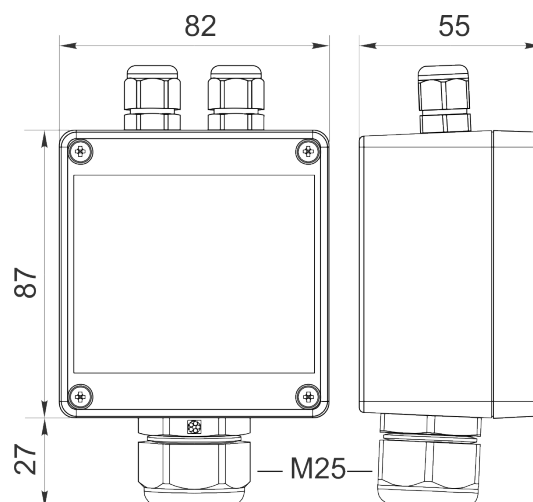
Features

- Wall-mount or duct-mount version
- Industrial IP65 housing
- Two analog outputs settable to 4-20 mA or 0-10 V
- RS485 Modbus RTU digital interface
- Two relays for alarm / ventilation control
- Attached or remote sensor

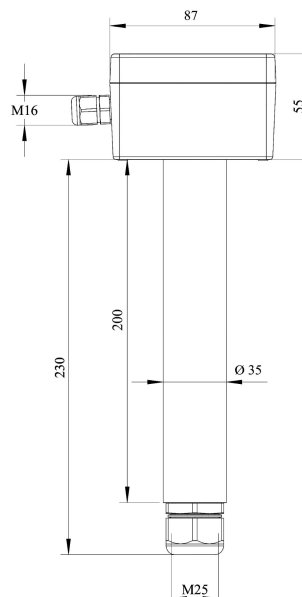
Specifications

Calibration	Ethylene C ₂ H ₄		
Sensor type	Electrochemical		
Sampling method	Diffusion		
Typical detection range	0...10 ppm	0...200 ppm	0...1500 ppm
Maximum overload	20 ppm	500 ppm	3000 ppm
Resolution / digital unit	0.1 ppm	1 ppm	1 ppm
Response time T80	< 60 s	< 60 s	< 60 s
Signal update	Every 1 second		
Sensor lifetime	> 2 years		
Maintenance interval	6 months		
Self-diagnostics	Full functionality check at start-up		
Warm-up time	≤ 1 min		
Power supply	11...30 VDC (default), 24 VAC or 90...265 VAC as options		
Power consumption	< 2 VA		
Digital interface	RS485, Modbus RTU protocol		
Analog outputs	2 × 4-20 mA / 0-10 V, user settable		
Output scale width	Recommended: 20-100% of the range; > 10 × resolution in any case		
Output relays	2 × SPST relays (closing contact), 250 VAC / 30 VDC, 5 A max		
Default alarm setpoints	Determined by user within 5-95% of the range		
Enclosure	Light beige ABS plastic, wall mount, protection class IP65		
Dimensions	H87 × W82 × D55 mm		
Remote sensor probe	Protection IP65, shielded cable default cable length 3.0 m		
Operating environment	Industrial indoor and outdoor locations		
Operating conditions	-20...+50°C, 15...100 %RH; 0,9...1,1 atm; Explosion-safe areas; Non-aggressive atmosphere		

Wall mount version



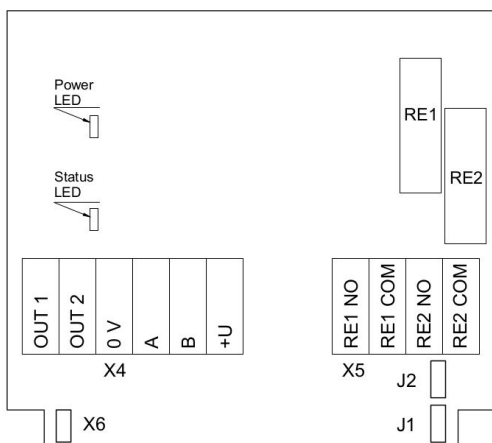
Duct mount version



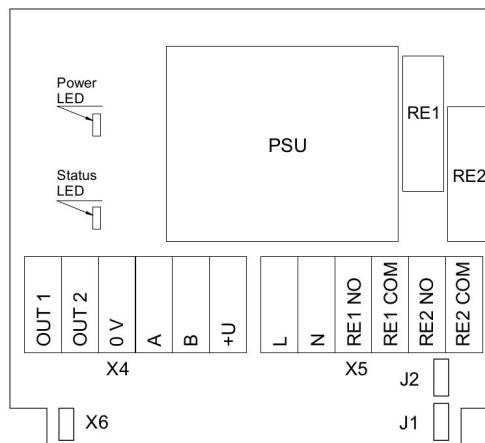
Ask for other versions or custom designed products



Connection diagrams



Version without PSU



Version with PSU

Jumpers

J1	OUT1 type (open: 4-20 mA; closed 0-10 V)
J2	OUT2 type (open: 4-20 mA; closed 0-10 V)
X6	Reset Modbus network parameters to default

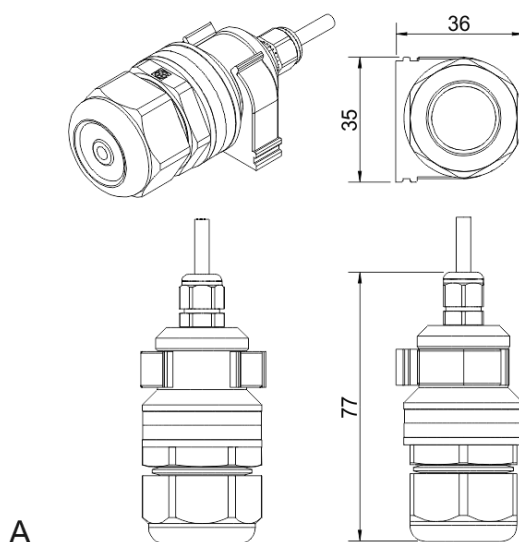
X4 terminals

OUT1	4-20 mA / 0-10 V output
OUT2	4-20 mA / 0-10 V output
0V	0 V / 24 VAC Neutral (optional)
A	RS485 A / Data +
B	RS485 B / Data -
+U	+24 VDC / 24 VAC Phase (optional)

X5 terminals (optional)

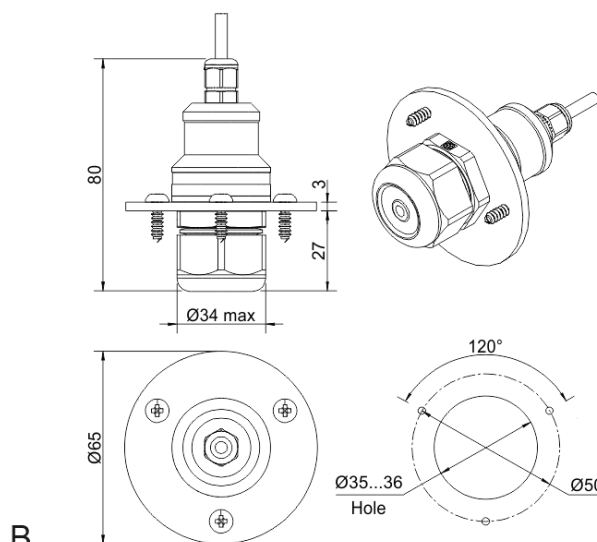
L	90...265 VAC Phase
N	90...265 VAC Neutral
RE1 NO	Relay 1, normally open terminal
RE1 COM	Relay 1, common terminal
RE2 NO	Relay 2, normally open terminal
RE2 COM	Relay 2, common terminal

Remote probe



A

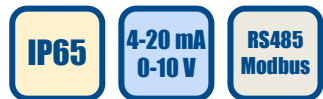
Wall mount remote probe with fixing clamp (default version)



B

Remote probe with rubber flange and three self-tapping screws (on request)





Ethylene Transmitter E2618-C2H4



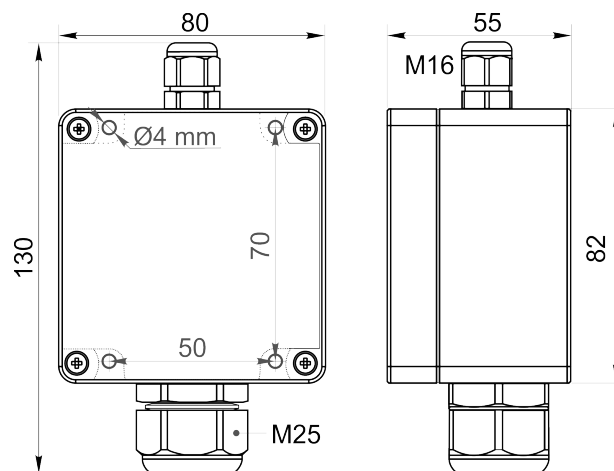
Features

- Wall-mount or duct-mount version
- Industrial IP65 housing
- Two analog outputs settable to 4-20 mA or 0-10 V
- RS485 Modbus RTU digital interface
- Attached or remote sensor

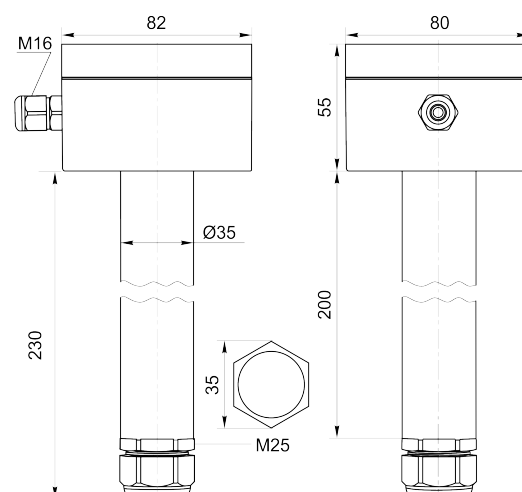
Specifications

Calibration	Ethylene C ₂ H ₄		
Sensor type	Electrochemical		
Sampling method	Diffusion		
Typical detection range	0...10 ppm	0...200 ppm	0...1500 ppm
Maximum overload	20 ppm	500 ppm	3000 ppm
Resolution / digital unit	0.1 ppm	1 ppm	1 ppm
Response time T80	< 60 s	< 60 s	< 60 s
Signal update	Every 1 second		
Sensor lifetime	> 2 years		
Maintenance interval	6 months		
Self-diagnostics	Full functionality check at start-up		
Warm-up time	≤ 1 min		
Power supply	11...30 VDC or 24 VAC		
Power consumption	< 2 VA		
Digital interface	RS485, Modbus RTU protocol		
Analog outputs	2 × 4-20 mA / 0-10 V, user settable		
Output scale width	Recommended: 20-100% of the range; > 10 × resolution in any case		
Enclosure	Grey ABS plastic, wall mount, protection class IP65		
Dimensions	H82 × W80 × D55 mm		
Remote sensor probe	Protection IP65, shielded cable default cable length 3.0 m		
Operating environment	Industrial indoor and outdoor locations		
Operating conditions	-20...+50°C, up to 100 %RH; 0,9...1,1 atm; Explosion-safe areas; Non-aggressive atmosphere		

Wall mount version



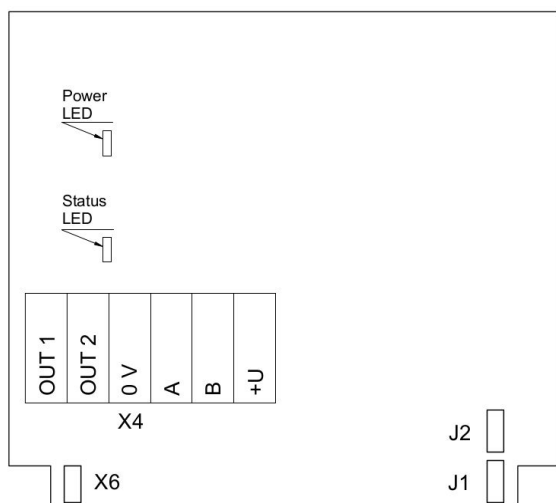
Duct mount version



Ask for other versions or custom designed products



Connection diagram



PCB without PSU and relays

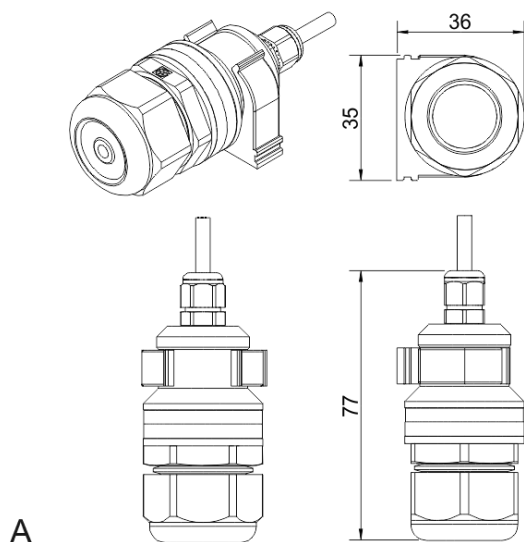
Jumpers

- J1** OUT1 type (open: 4-20 mA; closed 0-10 V)
- J2** OUT2 type (open: 4-20 mA; closed 0-10 V)
- X6** Reset Modbus network parameters to default

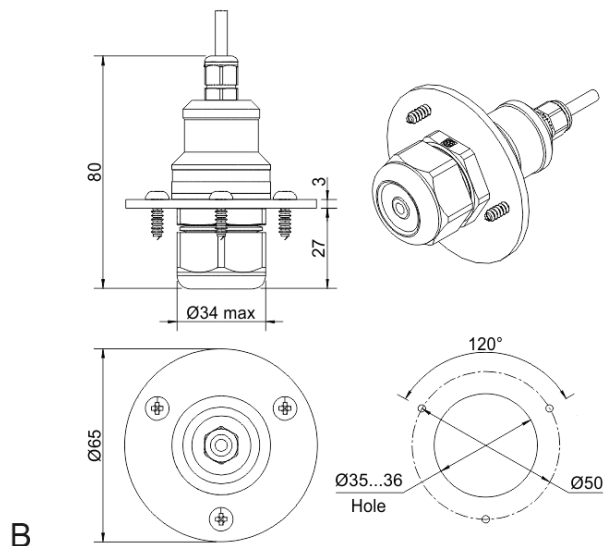
X4 terminals

- OUT1** 4-20 mA / 0-10 V output
- OUT2** 4-20 mA / 0-10 V output
- 0V** 0 V / 24 VAC Neutral (optional)
- A** RS485 A / Data +
- B** RS485 B / Data -
- +U** +24 VDC / 24 VAC Phase (optional)

Remote probe



Wall mount remote probe with fixing clamp (default version)



Remote probe with rubber flange and three self-tapping screws (on request)





Ethylene Detector-Transmitter E2638-C2H4



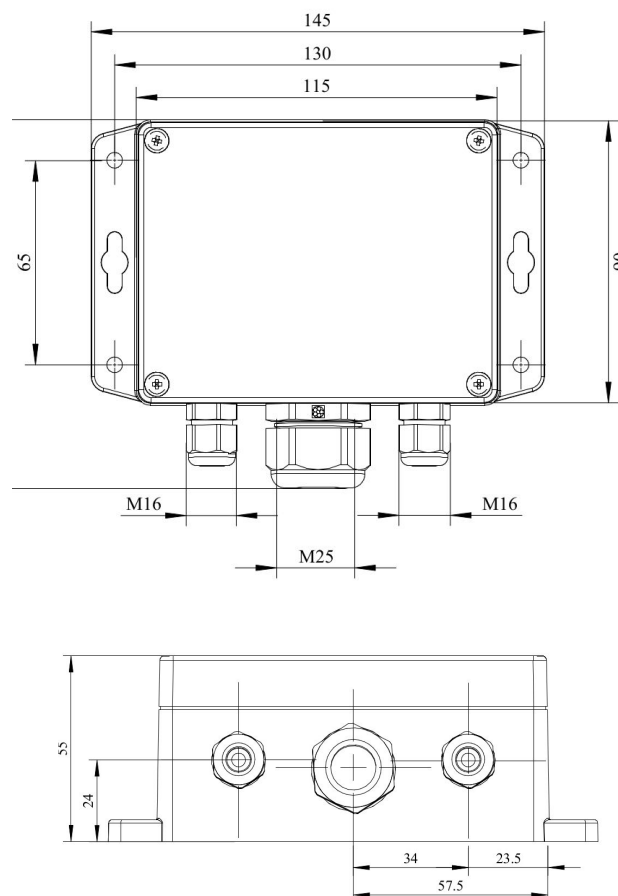
Features

- Accurate and stable measurement
- Easy to install robust enclosure
- Two analog outputs settable to 4-20 mA or 0-10 V
- RS485 Modbus RTU digital interface
- Relay option
- Attached or remote sensor
- LCD indicator option

Specifications

Calibration	Ethylene C ₂ H ₄		
Sensor type	Electrochemical		
Sampling method	Diffusion		
Typical detection ranges	0...10 ppm	0...200 ppm	0...1500 ppm
Maximum overload	20 ppm	500 ppm	2000 ppm
Resolution	0.1 ppm	1 ppm	1 ppm
Response time T90	< 60 s	< 60 s	< 60 s
Signal update	Every 1 second		
Maintenance interval	6 months		
Sensor lifetime	> 2 years		
Self-diagnostics	Full functionality check at start-up		
Warm-up time	≤ 1 min		
Power supply options	11...30 VDC 24 VAC or 90...265 VAC as options		
Power consumption	< 2 VA		
Digital interface	RS485, Modbus RTU protocol		
Analog outputs	2 × 4-20 mA / 0-10 V, user settable		
Output scale width	Recommended: 20-100% of the range; > 10 × resolution in any case		
Enclosure	Grey ABS plastic, wall mount, protection class IP65		
Dimensions	H90 × W145 × D55 mm (housing only) H140 with cable glands		
Operating environment	Industrial indoor and outdoor locations		
Operating conditions	-20...+50°C, up to 100 %RH; 0,9...1,1 atm; Explosion-safe areas; Non-aggressive atmosphere		

Dimensions



Additional options

Remote sensor probe	Protection IP65, shielded cable default cable length 3.0 m
Self-test button	Triggers both relays simultaneously; push-button switch

Relay outputs

Output relays	2 × SPST relays (closing contact), 250 VAC / 30 VDC, 5 A max
Default alarm set-points	Determined by user within 5-95% of the range

Alarm signalling

Visual	Red and green LEDs
Acoustic	Buzzer 85 dB

LCD indicator

Operating temperature	0...+50 °C
Display dimensions	72 × 36 mm
Number of digits	3.5 7-segment
Character height	14 mm
Other features	Backlight

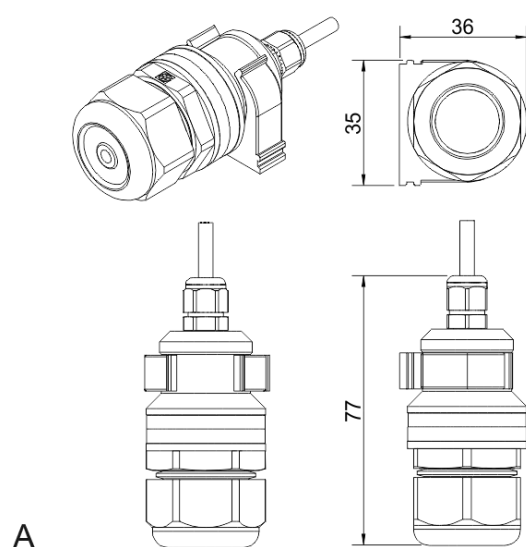
NOTE! Only one analog output is available for a version with LCD

NOTE! LCD and LEDs can not be chosen simultaneously

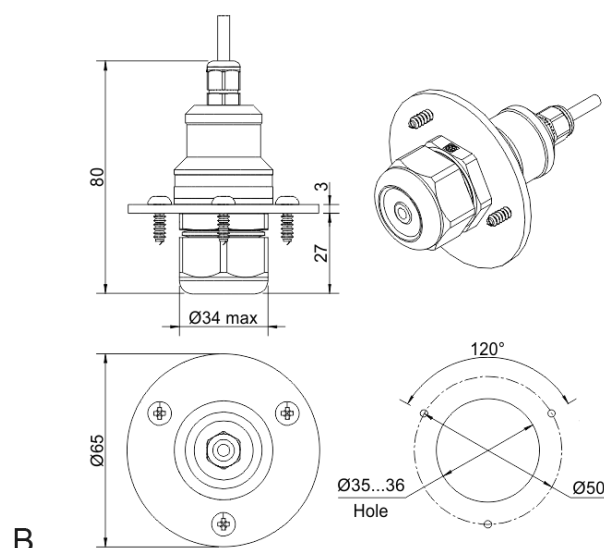
Version with LCD indicator



Remote probe



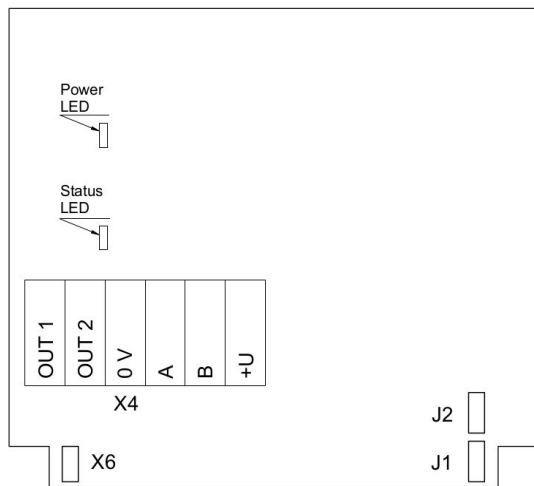
Wall mount remote probe with fixing clamp (default version)



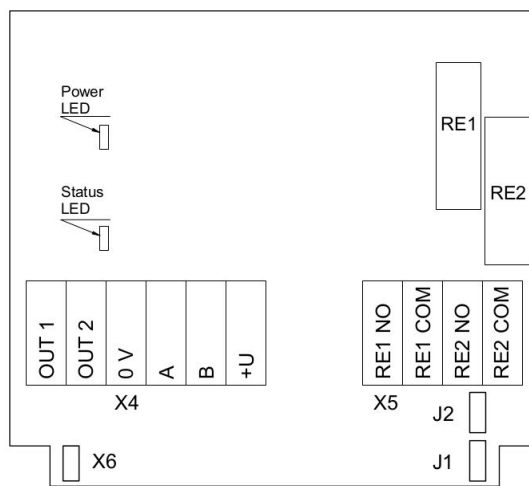
Remote probe with rubber flange and three self-tapping screws (on request)



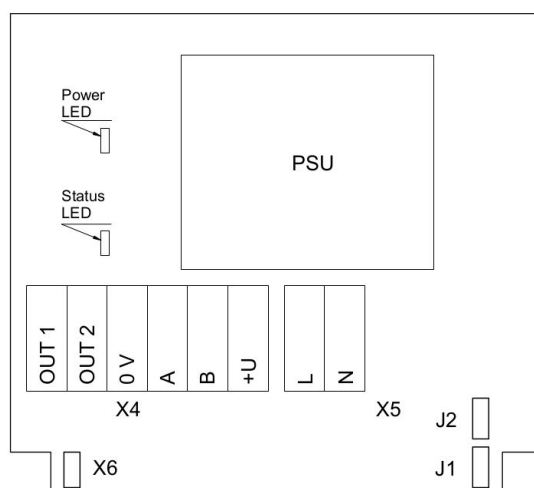
Connection diagrams



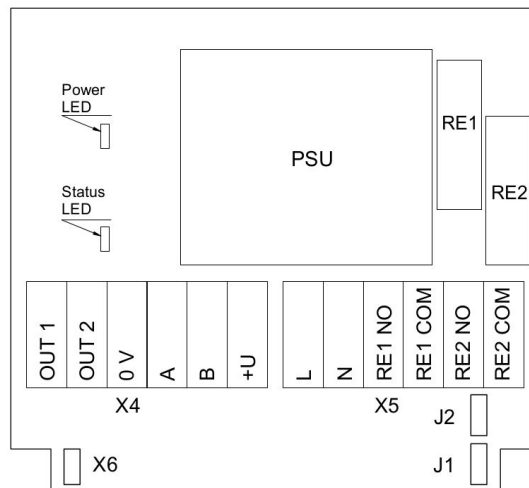
Version without PSU and relays



Version without PSU and with relays



Version with PSU and without relays



Version with PSU and relays

Jumpers

J1	OUT1 type (open: 4-20 mA; closed 0-10 V)
J2	OUT2 type (open: 4-20 mA; closed 0-10 V)
X6	Reset Modbus network parameters to default

X4 terminals

OUT1	4-20 mA / 0-10 V output
OUT2	4-20 mA / 0-10 V output
0V	0 V / 24 VAC Neutral (optional)
A	RS485 A / Data +
B	RS485 B / Data -
+U	+24 VDC / 24 VAC Phase (optional)

X5 terminals (optional)

L	90...265 VAC Phase
N	90...265 VAC Neutral
RE1 NO	Relay 1, normally open terminal
RE1 COM	Relay 1, common terminal
RE2 NO	Relay 2, normally open terminal
RE2 COM	Relay 2, common terminal





Ethylene Detector-Transmitter E2648-C2H4



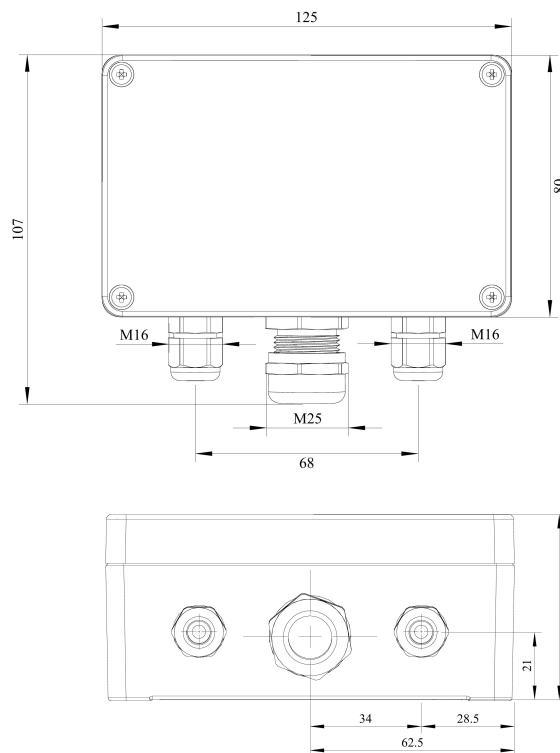
Features

- Accurate and stable measurement
- Industrial IP66 wall mount housing
- Two analog outputs settable to 4-20 mA or 0-10 V
- RS485 Modbus RTU digital interface
- Two relays for alarm / ventilation control (option)
- Attached or remote sensor

Specifications

Calibration	Ethylene C ₂ H ₄		
Sensor type	Electrochemical		
Sampling method	Diffusion		
Typical detection range	0...10 ppm	0...200 ppm	0...1500 ppm
Maximum overload	20 ppm	500 ppm	2000 ppm
Resolution	0.1 ppm	1 ppm	1 ppm
Response time T90	< 60 s	< 60 s	< 60 s
Sensor lifetime	> 2 years		
Maintenance interval	6 months		
Signal update	Every 1 second		
Self-diagnostics	Full functionality check at start-up		
Warm-up time	≤ 1 min		
Power supply	11...30 VDC		
	24 VAC or 90...265 VAC as options		
Power consumption	< 2 VA		
Digital interface	RS485, Modbus RTU protocol		
Analog outputs	2 × 4-20 mA / 0-10 V, user settable		
Output scale width	Recommended: 20-100% of the range; > 10 × resolution in any case		
Enclosure	Die-cast aluminium, wall mount, protection class IP66		
Dimensions	H120 × W125 × D57 mm		
Operating environment	Industrial indoor and outdoor locations		
Operating conditions	-20...+50°C, up to 100 %RH;; 0.9...1,1 atm Explosion-safe areas; Normal ambient oxygen level; Avoid exposure to corrosive gases or silicone containing products;		

Dimensions



Relay option (ordering code R)

Output relays	2 × SPST relays (closing contact), 250 VAC / 30 VDC, 5 A max
Default alarm setpoints	Determined by user within 5-95% of the detection range

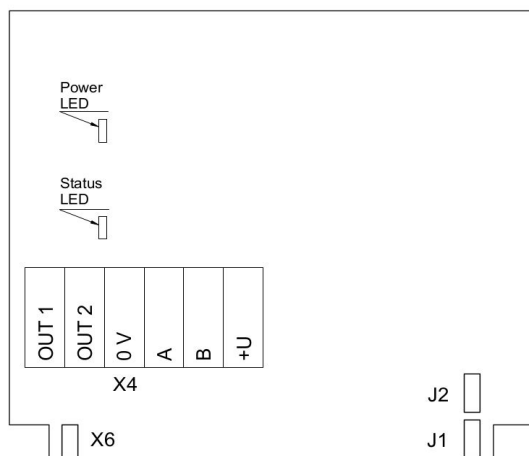
Other options

Remote sensor probe	Protection IP65, shielded cable default cable length 3.0 m
---------------------	---

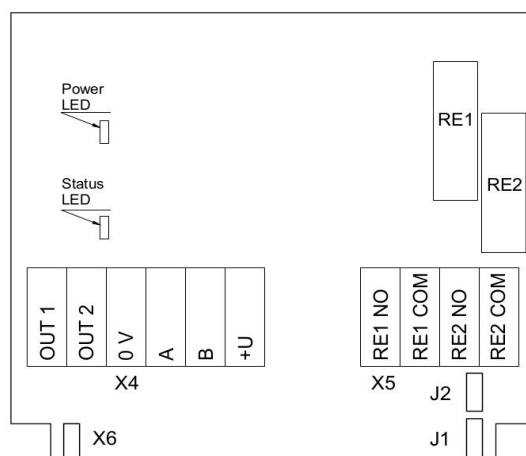
Ask for other versions or custom designed products



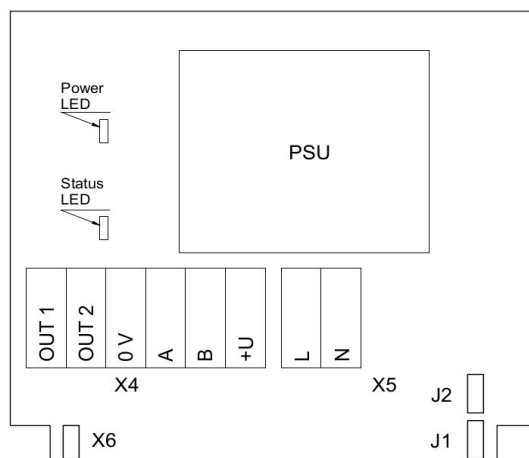
Connection diagrams



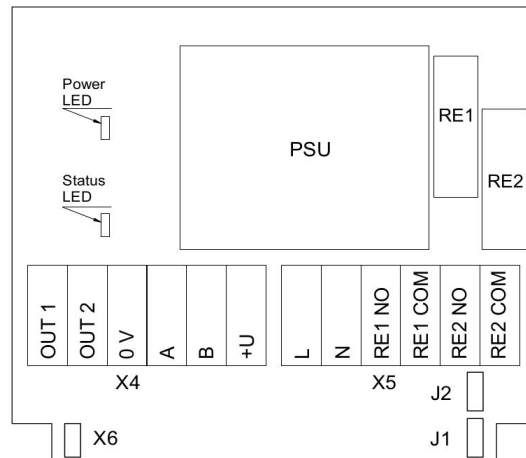
Version without PSU and relays



Version without PSU and with relays



Version with PSU and without relays



Version with PSU and relays

Jumpers

J1	OUT1 type (open: 4-20 mA; closed 0-10 V)
J2	OUT2 type (open: 4-20 mA; closed 0-10 V)
X6	Reset Modbus network parameters to default

X4 terminals

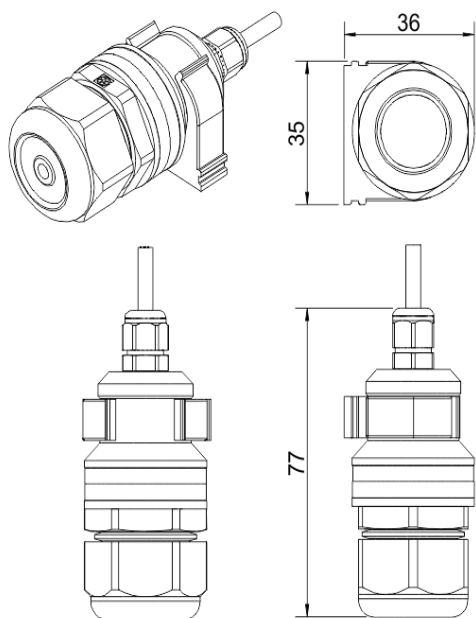
OUT1	4-20 mA / 0-10 V output
OUT2	4-20 mA / 0-10 V output
0V	0 V / 24 VAC Neutral (optional)
A	RS485 A / Data +
B	RS485 B / Data -
+U	+24 VDC / 24 VAC Phase (optional)

X5 terminals (optional)

L	90...265 VAC Phase
N	90...265 VAC Neutral
RE1 NO	Relay 1, normally open terminal
RE1 COM	Relay 1, common terminal
RE2 NO	Relay 2, normally open terminal
RE2 COM	Relay 2, common terminal

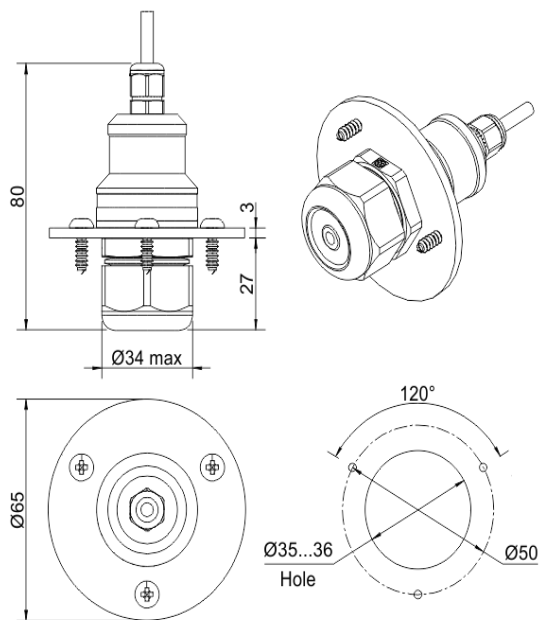


Remote probe



A

Wall mount remote probe with fixing clamp (default version)

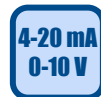


B

Remote probe with rubber flange and three self-tapping screws (on request)



Flameproof Ethylene Detector-Transmitter E2658-C2H4



Features

- Wall mount robust flameproof metal enclosure
- Suitable for ATEX Zones 2 and 22
- Two analog outputs settable to 4-20 mA or 0-10 V
- RS485 Modbus RTU digital interface
- Relay option

Specifications

Calibration	Ethylene C ₂ H ₄		
Sensor type	Electrochemical		
Sampling method	Diffusion		
Typical detection range	0...10 ppm	0...200 ppm	0...1500 ppm
Maximum overload	20 ppm	500 ppm	2000 ppm
Resolution / digital unit	0.1 ppm	1 ppm	1 ppm
Response time T90	< 60 s	< 60 s	< 60 s
Sensor lifetime	> 2 years		
Maintenance interval	6 months		
Signal update	Every 1 second		
Self-diagnostics	Full functionality check at start-up		
Warm-up time	≤ 1 min		
Power supply	11...30 VDC (default), 24 VAC or 90...265 VAC as options		
Power consumption	< 2 VA		
Digital interface	RS485, Modbus RTU protocol		
Analog outputs	2 × 4-20 mA / 0-10 V, user settable		
Output scale width	Recommended: 20-100% of the range; > 10 × resolution in any case		
Enclosure	Grey die-cast aluminium, protection class IP66		
Dimensions	H80 × W125 × D57 / H80 × W175 × D80 mm		
Operating environment	industrial indoor and outdoor locations		
Operating conditions	-20...+50°C, up to 100 %RH; 0,9...1,1 atm; Explosion-safe areas; Non-aggressive atmosphere		

Relay option (ordering code R)

Output relays	2 × SPST relays (closing contact), 250 VAC / 30 VDC, 5 A max
Default alarm setpoints	Determined by user within 5-95% of the range

Approvals

Enclosure:

ATEX / IECEx
DEMKO 13 ATEX 1327771U
 II 2 G Ex e IIC Gb
 II 2 D Ex tb IIIC Db IP66

Glands:

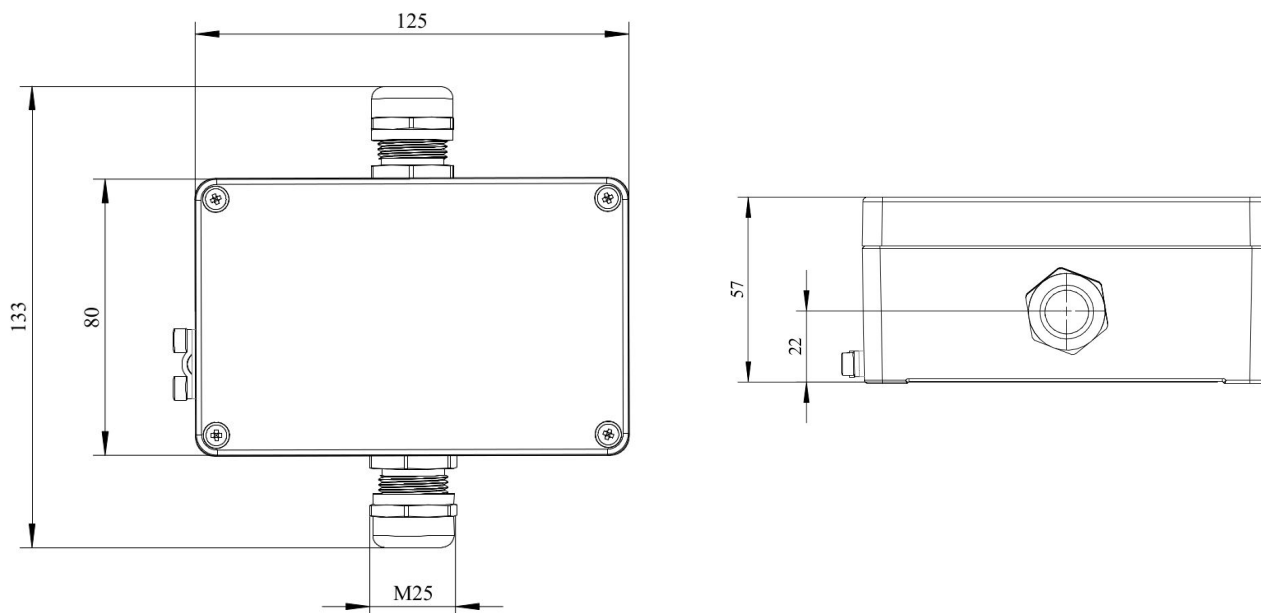
ATEX / IECEx
EESF 19 ATEX 023X
 II 2G Ex db IIC Gb
 II 2D Ex tb IIIC Db IP66

CE conformity

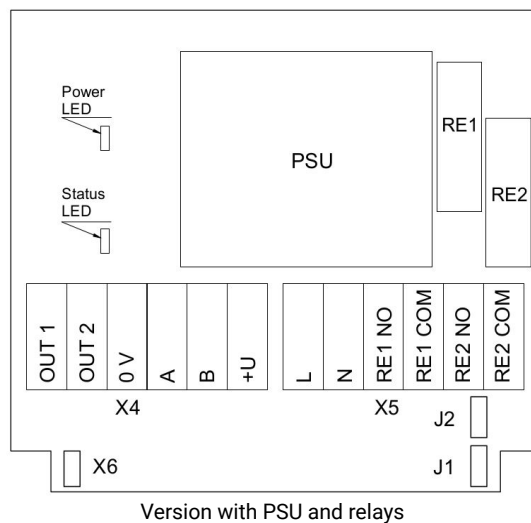
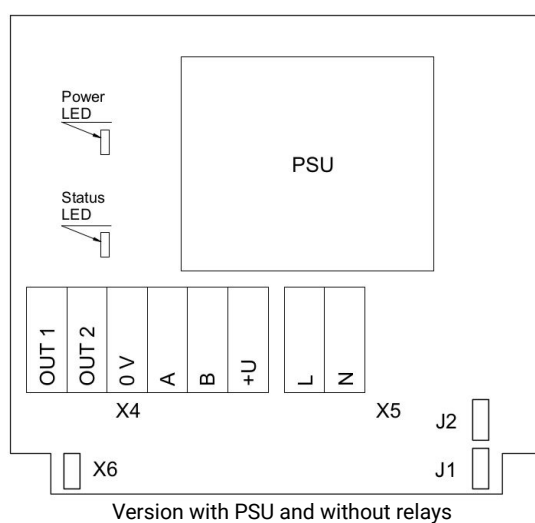
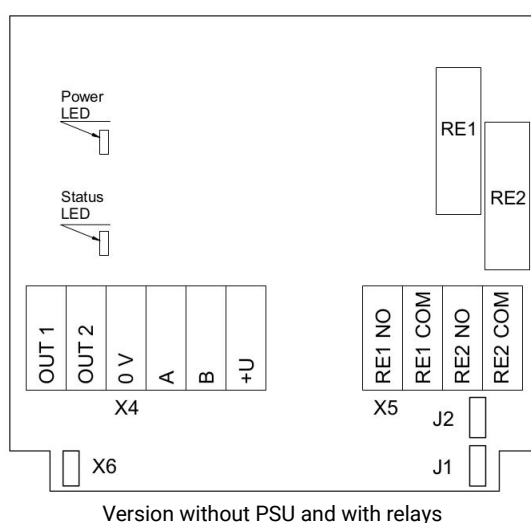
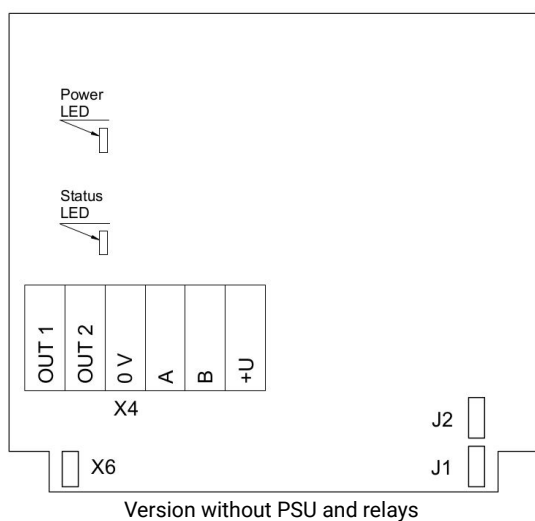
Flameproof to IEC EN 60079-1
Increased safety to IEC EN 60079-7
EMC Emissions to EN 61000-6-3, EN 61326-1
EMC Immunity to EN 61000-6-1, EN 61000-6-2



Dimensions



Connection diagrams



Jumpers

J1	OUT1 type (open: 4-20 mA; closed 0-10 V)
J2	OUT2 type (open: 4-20 mA; closed 0-10 V)
X6	Reset Modbus network parameters to default
X4 terminals	
OUT1	4-20 mA / 0-10 V output
OUT2	4-20 mA / 0-10 V output
0V	0 V / 24 VAC Neutral (optional)
A	RS485 A / Data +
B	RS485 B / Data -
+U	+24 VDC / 24 VAC Phase (optional)
X5 terminals (optional)	
L	90...265 VAC Phase
N	90...265 VAC Neutral
RE1 NO	Relay 1, normally open terminal
RE1 COM	Relay 1, common terminal
RE2 NO	Relay 2, normally open terminal
RE2 COM	Relay 2, common terminal

