



DOCKING STATIONS FOR HYGROLOG-NT

Depending on the model, the docking stations serve purely as a wall mounting bracket or offer additional functions such as external power supply, interface module to a PC or network or extension module with digital or analog probe inputs as well as relay outputs.

FEATURES

- IP protection: IP40
- Range of application: -30...70 °C / 0...100 %RH

Overview docking stations

Order code	Inputs					Interfaces								
	External power supply (12-24 VDC)	HygroClip2 or analog inputs	Analog input 0...2.5 V	Analog input 0(4)...20 mA	Digital inputs (switch contact)	Pt100 inputs	RS-232 & RS-485	USB & RS-485	Ethernet TCP/IP RJ45 & RS-485	Ethernet TCP/IP RJ45	WLAN & RS-485	WLAN	Relay outputs	Use with internet browser*
HL-DS-NT0														
HL-DS-NT1	✓													
HL-DS-NT2	✓													
HL-DS-NT3	✓													
HL-DS-NT4	✓				2				✓					
HL-DS-NT4-WEB*	✓				2					✓				✓
HL-DS-NT4-WL	✓				2						✓			
HL-DS-PT2	✓				2	4		✓						
HL-DS-PT4	✓				2	2		✓						
HL-DS-PT4-WL	✓				2	2					✓			
HL-DS-R-1	✓				2			✓					2	
HL-DS-U1	✓	4	✓		2		✓							
HL-DS-U2	✓	4	✓		2			✓						
HL-DS-U2-420	✓	4		✓	2			✓						
HL-DS-U4	✓	4	✓		2				✓					
HL-DS-U4-420	✓	4		✓	2				✓					
HL-DS-U4-420-WEB*	✓	4		✓	2					✓				✓
HL-DS-U4-WEB*	✓	4	✓		2				✓					✓
HL-DS-U4-WEB-WL*	✓	2	✓		2						✓			✓
HL-DS-U4-WL	✓	2	✓		2						✓			

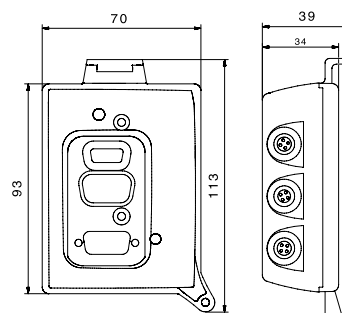
* WEB: Access to data logger without HW4 software possible via browser.



HL-DS-U2



HL-DS-U4-WL



DELIVERY PACKAGE

- Screws for mounting
- Short instruction manual
- Configuration data sheet (LAN / WLAN docking stations)

RECOMMENDED ACCESSORIES

- Probe extension cable, 2 m, black E2-02A
- AC adapter, 85...264 VAC to 12 VDC AC1211-V1
- Cable to connect an analog probe (open ends) A-02xx